

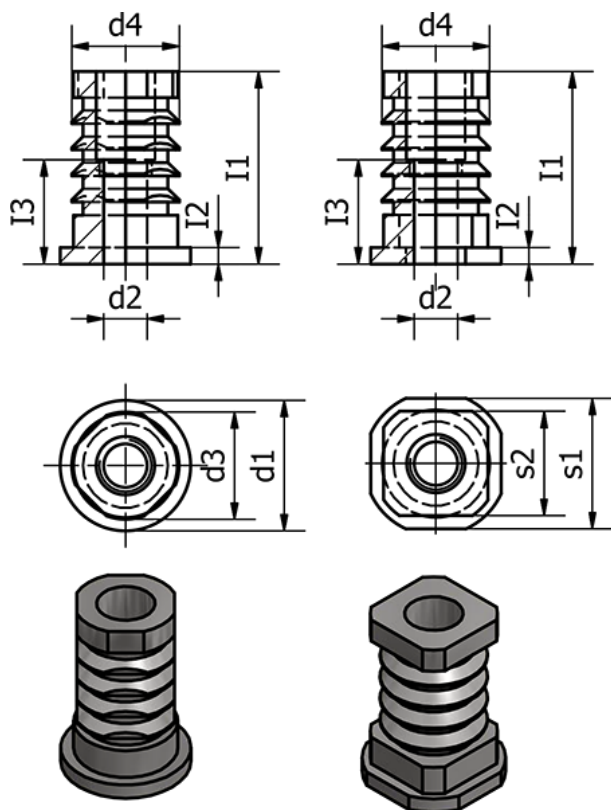
Data Sheet



Article number: 209925D40M10

Description: E+G Threaded end-caps - GN 992.5-D40-M10

Measures



d1 = 40

d2 = M10

d3 = 34

d4 = 34.5

I1 = 33.5

I2 = 2.5

I3 = 24

s1 =

s2 =

Weight (g) = 180